

PASCHIM GUJARAT VIJ COMPANY LTD

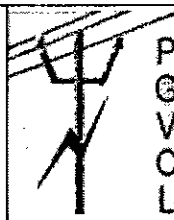
Reg. & Corporate Office, "Paschim Gujarat VijSevaSadan"

Off, Nana Mava Road, Laxminagar, Rajkot - 360 004

CIN: U40102GJ2003SGC042908; Phone: (0281)2380425, 2380427;

Fax : 2380428;

Email: info.pgvl@gebmail.com; Web site: www.pgvl.com



PGVCL/Project-1/Revised Labour rate/2018-19/1247

Date:-05.10.2018

To

The Superintending Engineer,

PGVCL, Circle Office,

Rajkot City/Rajkot Rural/ Morbi/Jamnagar/Junagadh/Anjar/Botad/

Porbandar/ Bhuj / Surendranagar / Amreli/ Bhavnagar.

Sub:-Revised labour rate for capital/maintenance activity and laying of 11 KV underground cabling work for the Financial Year 2018-19.

Ref:-Board Resolution no: BM: 115.21.1810

PGVCL Board vide resolution under reference has approved revision of existing labour rate for capital and maintenance activities for HT/LT line, transformer centers, laying of 11 KV underground cable, disconnection and reconnection work for the F.Y. 2018-19. The revised rates for the year 2018-19 are enclosed herewith. The revised labour rates are exclusive of GST.

The revised rates will be effective from the date of issue of this letter.

Therefore, it is requested to circulate the same to all field offices for strict implementation with immediate effect.


Chief Engineer (Project)
PGVCL, Corporate Office, Rajkot

Encl: - ANNEXURE-A, B, C, D, E, F

c.f.w.cs. to:

PS to Managing Director, PGVCL, Corporate Office, Rajkot.

c.c.to:

- The CE (Tech)/ (Material), PGVCL, Corporate Office, Rajkot.
- The CE, PGVCL, Zonal Office, Bhavnagar.
- The GM (F&A), PGVCL, Corporate Office, Rajkot.
- The CS, PGVCL, Corporate Office, Rajkot.
- The ACE (Tech)/ (Material)/(R&C), PGVCL, Corporate Office, Rajkot.
- The SE (Civil), PGVCL, Corporate Office, Rajkot.
- The System Analyst, PGVCL, Corporate Office, Rajkot.
- The DE (e-urja-CNO), PGVCL, Corporate Office, Rajkot.

PASCHIM GUJARAT VIJ COMPANY LIMITED

PGVCL/Project-1/Revised Labour rate/2018-19/1247/dtd.05.10.2018

Annexure-A

REVISED SCHEDULE OF LABOUR RATES FOR CAPITAL WORKS FOR THE YEAR 2018-19

(The Labour rates are excluding of GST.)

Sr. No.	DETAILS OF WORKS	UNIT	Revised Labour Rate for 2018-19
1	HT TAPPING FROM THE EXISTING POLE INCLUDING FIXING OF CROSS ARMS, CLAMPS ANTI-CLIMBING DEVICES, DANGER BOARD, INSULATORS ETC. COMPLETE AND PAINTING OF FABRICATED MATERIALS AND NUMBERING COMPLETE WITH COST OF PAINTS AS PER STANDARD SPECIFICATION BUT EXCLUDING ERECTION OF GUY SET AND EARTHING.	NO.	309.00
2	ERECTION OF PSC POLES OF 8 Mt./200 KG INCLUDING EXCAVATION OF PIT AND REFILLING OF EARTH, FIXING OF CROSS ARMS, TOP FITTING CLAMPS ANTI-CLIMBING DEVICES, INSULATORS ETC. COMPLETE AND PAINTING OF FABRICATED MATERIALS USED ON THE POLES AND NUMBERING WITH COST OF PAINT AS PER STANDARD SPECIFICATION BUT EXCLUDING ERECTION OF GUY SET AND EARTHING.	NO.	748.00
3	ERECTION OF STEEL POLES OF <u>9 TO 11</u> METERS INCLUDING EXCAVATION OF PIT AND REFILLING OF EARTH, FIXING OF CROSS ARMS, TOP FITTING CLAMPS ANTI-CLIMBING DEVICES, DANGER BOARD, INSULATORS ETC. COMPLETE AND PAINTING OF STEEL POLE, FABRICATED MATERIALS USED ON THE POLE AND NUMBERING WITH COST OF PAINT AS PER STANDARD SPECIFICATION BUT EXCLUDING ERECTION OF GUY SET AND EARTHING.	NO.	1253.00
4	ERECTION OF STEEL POLE OF 13 METERS FOR RAILWAY CROSSING ON BG/MG/NG LINE FOR 0.400/11/22KV OVERHEAD LINES I.E INCLUDING EXCAVATION OF PIT & REFILLING OF EARTH, FIXING CROSS ARMS, TOP FITTING CLAMPS, ANTI-CLIMBING DEVICES DANGER BOARD, INSULATORS ETC. COMPLETE AND PAINTING OF STEEL POLES, FABRICATED MATERIALS USED ON THE POLES AND NUMBERING WITH COST OF PAINT AS PER STANDARD SPECIFICATION BUT EXCLUDING ERECTION OF GUY SETS AND EARTHING.	NO.	1436.00
5	ERECTION OF DOUBLE POLE STRUCTURE OF 8 METERS 200 KG PSC POLES INCLUDING EXCAVATION OF PITS & REFILLING OF EARTHING, FIXING OF CHANNELS, SUPPORTING ANGLES, CLAMPS, ANTI-CLIMBING DEVICES DANGER BOARDS, INSULATORS ETC. COMPLETE AND PAINTING OF FABRICATED MATERIALS USED ON THE POLES AND NUMBERING WITH COST OF PAINT AS PER STANDARD SPECIFICATION BUT EXCLUDING ERECTION OF GUY SETS AND EARTHING.(WITHOUT AB SWITCH)	NO.	1700.00
6	ERECTION OF DOUBLE POLE STRUCTURE OF <u>9 TO 11</u> METERS. STEEL POLE INCLUDING EXCAVATION OF PITS & REFILLING OF EARTH, FIXING OF CHANNELS, SUPPORTING ANGLES, CLAMPS, ANTI-CLIMBING DEVICES DANGER BOARDS, INSULATORS ETC. COMPLETE & PAINTING OF POLES, FABRICATED MATERIAL USED ON THE POLES AND NUMBERING WITH COST OF PAINTS AS PER STANDARD SPECIFICATION BUT EXCLUDING ERECTION OF GUY SET AND EARTHING.(WITHOUT AB SWITCH)	NO.	2456.00
7	ERECTION OF DOUBLE POLE STRUCTURE WITH MOUNTING OF AB SWITCH, DO FUSES OF 8 MTRS 200 KG PSC POLES INCLUDING EXCAVATION OF PITS AND REFILLING OF EARTH, FIXING OF CHANNELS SUPPORTING ANGLES, CLAMPS, ANTI-CLIMBING DEVICES, DANGER BOARDS, INSULATORS, DO FUSES ETC. COMPLETE AND PAINTING OF FABRICATED MATERIALS USED ON THE POLES AND NUMBERING WITH COST OF PAINT AS PER STANDARD SPECIFICATION BUT EXCLUDING OF ERECTION OF GUY SET AND EARTHING.	NO.	2043.00
8	ERECTION OF DOUBLE POLE STRUCTURE WITH MOUNTING OF AB SWITCH, DO FUSES, <u>9 TO 11</u> METERS STEEL POLES INCLUDING EXCAVATION OF PITS AND REFILLING OF EARTH, FIXING OF CHANNEL, SUPPORTING ANGLES, CLAMPS, ANTI-CLIMBING DEVICES, DANGER BOARDS, INSULATORS, ETC. COMPLETE AND PAINTING OF POLES FABRICATED MATERIALS USED ON THE POLES AND NUMBERING WITH COST OF PAINT AS PER STANDARD SPECIFICATION BUT EXCLUDING ERECTION OF GUY SET AND EARTHING.	NO.	2681.00
9	ERECTION OF DOUBLE POLE STRUCTURES WITH MOUNTING OF AB SWITCH, DO FUSES, TRANSFORMERS, LIGHTENING ARRESTORS, DISTRIBUTION BOX. OF 8 METERS 200 KG AND PSC POLES INCLUDING EXCAVATION OF PITS AND REFILLING OF EARTH, CARTING OF TRANSFORMERS FROM STORES TO SITE, FIXING OF CHANNELS, SUPPORTING ANGLES, BRACINGS CROSS ARMS CLAMPS, ANTI-CLIMBING DEVICES, DANGER BOARDS, CONDUCTOR AND CABLE WIRING ETC. COMPLETE AND PAINTING OF FABRICATED MATERIALS USED ON THE POLES AND NUMBERING WITH COST OF PAINT AS PER STANDARD SPECIFICATION BUT EXCLUDING ERECTION OF GUY SETS AND EARTHING.	NO.	5832.00

Sr. No.	DETAILS OF WORKS	UNIT	Revised Labour Rate for 2018-19
10	ERECTION OF DOUBLE POLE STRUCTURE WITH MOUNTING OF AB SWITCH, HG FUSES TRANSFORMERS, LIGHTENING ARRESTORS, DISTRIBUTION BOX <u>9 TO 11</u> METERS STEEL POLES INCLUDING EXCAVATION OF PITS & REFILLING OF EARTH CARTING OF TRANSFORMERS FROM STORE TO SITE, FIXING OF CHANNELS SUPPORTING ANGLES, BRACING, CROSS ARMS, CLAMPS, ANTICLIMBING DEVICES, DANGER BOARDS, CONDUCTOR AND CABLE WIRING ETC. COMPLETE AND PAINTING OF POLES FABRICATED MATERIALS USED ON THE POLES AND NUMBERING AS PER STANDARD SPECIFICATION BUT EXCLUDING ERECTIONS OF GUY SETS AND EARTHING.	NO.	6819.00
11	ERECTION OF GUY SET INCLUDING EXCAVATION OF PITS & REFILLING OF EARTH AS PER STANDARD SPECIFICATION WITH STAY CLAMPS, STAY WIRE, ANCHOR ROD, TURN BUCKLE, EYEBOLT, GUY INSULATOR, CEMENT CONCRETE BLOCK ETC. BUT EXCLUDING CONCRETING.	NO.	360.00
12	CONCRETING OF POLES, GUYS, ETC. INCLUDING COST OF CEMENT SAND METAL (1:2:4) AND WATER ETC. AS PER STANDARD SPECIFICATION.	CMT	5919.00
13	ERECTION OF COIL TYPE EARTHING INCLUDING COST OF COALSALT ETC. BUT WITHOUT COST OF GI WIRE AS PER STANDARD SPECIFICATION (20 Kg Salt + 20 Kg Coal)	NO.	500.00
14	ERECTION OF PLATE TYPE EARTHING INCLUDING COST OF COALSALT ETC. BUT WITHOUT COST OF GI WIRE AS PER STANDARD SPECIFICATION (20 Kg Salt + 20 Kg Coal)	NO.	502.00
15	ERECTION OF STREET LIGHT FIXTURE COMPLETE WITH CLAMPS, BRASS NIPPLE, BRASS HOLDER TECK WOOD BUSH, REFLECTORS FUSE, WIRING ETC. AS PER STANDARD SPECIFICATION BUT EXCLUDING COST OF MATERIALS	NO.	231.00
16	STRINGING OF 30MM ² ACSR/34MM ² , 55MM ² AAC CONDUCTOR FOR 11/22KV & LT LINES INCLUDING FIXING OF INSULATORS, BINDING JUMPERING ETC.	ONE COND PER KM	1357.00
17	STRINGING OF GI WIRE 8 SWG INCLUDING BINDING JUMPERING ETC.	DO	760.00
18	PROVIDING SINGLE PHASE SERVICE CONNECTION WITH PVC 2.5/4.0 MM ² TWIN CORE CABLE FROM TERMINAL POLE TO METERING POINT INCLUDING FIXING OF METER & COMPLETE WORK AS PER STANDARD SPECIFICATION BUT EXCLUDING COST OF MATERIALS.	NO.	255.00
19	PROVIDING THREE PHASE 4 WIRE SERVICE CONNECTION WITH PVC 4MM ² /10MM ² FOUR CORE CABLE FROM TERMINAL POLE TO METERING POINT INCLUDING FIXING OF METER & COMPLETE WORK AS PER STANDARD SPECIFICATION BUT EXCLUDING COST OF MATERIALS.	NO.	351.00
20	ADDITIONAL COST FOR EXCAVATION OF PIT IN HARD ROCK AREA FOR ERECTION OF POLE/ GUY ETC. AS PER STANDARD SPECIFICATION OVER & ABOVE NORMAL COST COVERED AGAINST EXCAVATION OF PIT UNDER NORMAL SOIL FOR ERECTION OF POLE, GUY, DOUBLE POLE STRUCTURE EARTHING WITH THE APPROVAL OF SUPDT. ENGINEER.	NO.	231.00
21	PROVIDING GUARDING TO HT LINE ON ROAD/ RAIL CROSSING.	MTR	45.00
22	PROVIDING GUARDING OF LT LINES ON ROAD/RAIL CROSSING.	MTR	45.00
23	LT LINE TAPPING- SINGLE PHASE	NO.	33.00
24	LT LINE TAPPING- THREE PHASE	NO.	60.00
25	LAYING OF OVERHEAD LT CABLE FOR ROAD CROSSING, HT LINE CROSSING AND TELEPHONE LINE CROSSING ETC. (PER SPAN)	Per Span	169.00
26	ERECTION OF SINGLE POLE STRUCTURES WITH, DO FUSES, TRANSFORMERS, LIGHTENING ARRESTOR, DISTRIBUTION BOX. ON 8 METERS 200 KG PSC POLE INCLUDING EXCAVATION OF PITS AND REFILLING OF EARTH, CARTING OF TRANSFORMERS FROM STORES TO SITE, FIXING OF CHANNELS, SUPPORTING ANGLES, BRACINGS CROSS ARMS CLAMPS, ANTICLIMBING DEVICES DANGER BOARDS, CONDUCTOR AND CABLE WIRING ETC. COMPLETE AND PAINTING OF FABRICATED MATERIALS USED ON THE POLE AND NUMBERING WITH COST OF PAINT AS PER STANDARD SPECIFICATION BUT EXCLUDING ERECTION OF GUY SETS AND EARTHING.	NO.	2915.00
27	ERECTION OF SINGLE POLE STRUCTURES WITH MOUNTING OF AB SWITCH, DO FUSES, TRANSFORMERS, LIGHTENING ARRESTOR, DISTRIBUTION BOX. ON <u>9 to 11</u> METERS RSJ POLE INCLUDING EXCAVATION OF PITS AND REFILLING OF EARTH, CARTING OF TRANSFORMERS FROM STORES TO SITE, FIXING OF CHANNELS, SUPPORTING ANGLES, BRACINGS CROSS ARMS CLAMPS, ANTICLIMBING DEVICES DANGER BOARDS, CONDUCTOR AND CABLE WIRING ETC. COMPLETE AND PAINTING OF FABRICATED MATERIALS USED ON THE POLE AND NUMBERING AS PER STANDARD SPECIFICATION BUT EXCLUDING ERECTION OF GUY SETS AND EARTHING.	NO.	3410.00

Sr. No.	DETAILS OF WORKS	UNIT	Revised Labour Rate for 2019-20
28	ERECTION OF SINGLE POLE STRUCTURES WITH, HG FUSES, TRANSFORMERS, LIGHTENING ARRESTOR, DISTRIBUTION BOX <u>ON EXISTING 8 METERS 200 KG PSC POLE</u> INCLUDING EXCAVATION OF PITS AND REFILLING OF EARTH, CARTING OF TRANSFORMERS FROM STORES TO SITE, FIXING OF CHANNELS, SUPPORTING ANGLES, BRACINGS CROSS ARMS CLAMPS, ANTICLIMBING DEVICES DANGER BOARDS, CONDUCTOR AND CABLE WIRING ETC. COMPLETE AND PAINTING OF FABRICATED MATERIALS USED ON THE POLE AND NUMBERING WITH COST OF PAINT AS PER STANDARD SPECIFICATION BUT EXCLUDING ERECTION OF GUY SETS AND EARTHING.	NO.	1897.50
29	ERECTION OF SINGLE POLE STRUCTURES WITH , HG FUSES, TRANSFORMERS, LIGHTENING ARRESTOR, DISTRIBUTION BOX <u>ON EXISTING 9 to 11 METERS RSJ POLE</u> INCLUDING EXCAVATION OF PITS AND REFILLING OF EARTH, CARTING OF TRANSFORMERS FROM STORES TO SITE, FIXING OF CHANNELS, SUPPORTING ANGLES, BRACINGS CROSS ARMS CLAMPS, ANTICLIMBING DEVICES DANGER BOARDS, CONDUCTOR AND CABLE WIRING ETC. COMPLETE AND PAINTING OF FABRICATED MATERIALS USED ON THE POLE AND NUMBERING WITH COST OF PAINT AS PER STANDARD SPECIFICATION BUT EXCLUDING ERECTION OF GUY SETS AND EARTHING.	NO.	2035.00
30	ERECTION OF PSC POLES OF 10 Mt./270 KG INCLUDING EXCAVATION OF PIT AND REFILLING OF EARTH, FIXING OF CROSS ARMS, TOP FITTING CLAMPS ANTI-CLIMBING DEVICES, INSULATORS ETC. COMPLETE AND PAINTING OF FABRICATED MATERIALS USED ON THE POLES AND NUMBERING WITH COST OF PAINT AS PER STANDARD SPECIFICATION BUT EXCLUDING ERECTION OF GUY SET AND EARTHING.	NO.	1750.00
31	ERECTION OF DOUBLE POLE STRUCTURE OF 10 METERS 270 KG PSC POLES INCLUDING EXCAVATION OF PITS & REFILLING OF EARTH, FIXING OF CHANNELS, SUPPORTING ANGLES, CLAMPS, ANTI-CLIMBING DEVICES DANGER BOARDS, INSULATORS ETC. COMPLETE AND PAINTING OF FABRICATED MATERIALS USED ON THE POLES AND NUMBERING WITH COST OF PAINT AS PER STANDARD SPECIFICATION BUT EXCLUDING ERECTION OF GUY SETS AND EARTHING.	NO.	3644.00
32	STRINGING OF 100MM ² ACSR/100MM ² AAAC CONDUCTOR FOR 11/22KV & LT LINES INCLUDING FIXING OF INSULATORS, BINDING JUMPING ETC.	ONE COND PER KM	3125.00
33	STRINGING OF ABC OF FOLLOWING SIZES INCLUDING FITTING OF ALL ACCESSORIES I.E. SPECIAL DESIGN SUSPENSION/TENSION CLAMP. FIXING OF CROSS ARM, LT SHACKLE INSULATOR, & DIRECTED BY ENGINEER-IN-CHARGE. (i) 3x50mm ² +16mm ² +1x35mm ² (ii) 3x50mm ² +16mm ² +1x25mm ²	MTR	25.00
34	STRINGING OF ABC OF FOLLOWING SIZES INCLUDING FITTING OF ALL ACCESSORIES I.E. SPECIAL DESIGN SUSPENSION/TENSION CLAMP. FIXING OF CROSS ARM, LT SHACKLE INSULATOR, ETC. FOR FIXING OF MESSENGER WIRE COMPLETE, AS REQUIRED & DIRECTED BY ENGINEER-IN-CHARGE. (i) 1x35mm ² + 1x25mm ²	MTR	12.50
35	STRINGING OF 11KV ABC OF FOLLOWING SIZES IN <u>RURAL/URBAN AREA</u> INCLUDING FIXING OF CROSS ARM, SPECIAL DESIGN SUSPENSION/TENSION CLAMP, BINDING TO PIN INSULATOR, PREPARING SHACKLE POINT JUMPERS ETC. AS REQUIRED AND DIRECTED BY ENGINEER-IN-CHARGE. (I) 3X95MM ² +1X80MM ² (II) 3X70MM ² + 1X70MM ²	MTR	31.00
36	ERECTION OF DOUBLE POLE STRUCTURES WITH MOUNTING OF AB SWITCH, HG FUSES, TRANSFORMERS, LIGHTENING ARRESTORS, DISTRIBUTION BOX OF 10 METERS 270 KG AND PSC POLES INCLUDING EXCAVATION OF PITS AND REFILLING OF EARTH, CARTING OF TRANSFORMERS FROM STORES TO SITE, FIXING OF CHANNELS, SUPPORTING ANGLES, BRACINGS CROSS ARMS CLAMPS, ANTICLIMBING DEVICES DANGER BOARDS, CONDUCTOR AND CABLE WIRING ETC. COMPLETE AND PAINTING OF FABRICATED MATERIALS USED ON THE POLES AND NUMBERING WITH COST OF PAINT AS PER STANDARD SPECIFICATION BUT EXCLUDING ERECTION OF GUY SETS AND EARTHING.	NO.	6669.00
Note: 75% labour charge will be deducted if painting is not done.			
		Chief Engineer (Project)	
PGVCL, Corporate office , Rajkot			

PASCHIM GUJARAT VIJ COMPANY LTD.

PGVCL/Project-1/Revised Labour rate/2018-19/1247/dtd.05.10.2018

Annexure-B

Revised Labour Rates for *maintenance work* of HT / LT Line and Transformer Centre / Service Line / Reconnection and Dis connection etc. for the **year 2018-19**. (Excluding of GST)

All Rates are with transportation charges / All material including - M.S. Nut-Bolts of all size will be supplied by PGVCL / Paints & Colour to be purchased by the contractors.

(A) HT -LINE MAINTENANCEWORK.

Sr. No.	Item	Unit	Revised Labour Rate for 2018-19
1	Replacement of V-X-Arm with transportation,etc (+) Painting.	Set	157.00
2	Straightning of tilted V-X -Arm,Top fitting / LT X-Arm/ Tapping Angle	Set	56.00
3	Dismantaling of Old V-X-Arm with Top fitting / LT X-Arm/ Tapping Angle from existing pole.	Set	81.00
4	Fixing of V-X-Arm with Top / LT - X- Arm/ Tapping Angle on existing nacked pole with colour	Set	123.20
5	Refixing & Changing hight of V-X-Arm / LT-X-Arm / Tapping Angle Projection Brackets.	No.	137.50
6	Dismantaling of Old deteriorated PSC Pole with all Fabrication - with crediting fabrication at field store.	No.	515.90
6.a	Dismantaling of Old PSC Pole with all Fabrication - with crediting fabrication at field store.(if intact and re-usable)	No.	687.50
7	-do- but M.S.Girder Pole / Rail Pole / Tubular Poles etc. (Any Size)	No.	756.80
8	-do- but D.P. Structure set of PSC Poles	Set	1031.80
8.a	-do- but D.P. Structure set of PSC Poles (if intact and re-usable)	Set	1375.00
9	-do- but D.P. Structure set of M.S.Girder Poles	Set	1512.50
10	Replacement of 11 KV Pin Insulator with providing new double pin bindings.	No.	45.10
11	Replacement of old 11 KV Pin Insulator by new 22 KV Pin Insulator with rod and providing double pin bindings and check nuts etc.	No.	60.50
12	Re-Pin binding with cleaning of 11 KV / 22 KV Pin Insulator.	No.	15.40
13	Replacement of old 11 KV Disc Insulator by New one with binding etc.	No.	109.00
14	Providing 11 KV double disc insulator with binding etc.	No.	112.00
15	Replacement of Old jumpers and Providing new double jumpers with 8" binding and PVC pipe etc.	No.	61.60
16	Replacement of existing A.C.S.R./All Alu. Conductor up to 55 mm ² by new one/ Coated conductor with pin binding including transportation and crediting to store etc.	Per cond. Per Km	2200.00
17	Replacement of existing 11 KV conductor by 0.1 A.C.S.R./ AAAC DOG conductor with new double pin binding.	Per cond. Per Km	3025.00
18	Re-stringing of 11 KV A.C.S.R./AAAC Conductor & L.T. Line conductor/ Coated conductor (All size) with new double pin binding between two location.	1 Wire per Span	71.00
18.a	Re-stringing of 11 KV Aerial Bunch Cable (All size) between two location.	Per Span	213.00
19	Removal / Dismantaling of ex. HT / LT Line conductor (All Size)	Per cond. Per Km	894.30
20	Straightning of tilted PSC Poles / Gurder Poles.	No.	206.80
21	Dismantalin of guy set comp. with rod (If possible) etc.	Set	103.40
22	Re-tightning in all respect of loose guy set.	Set	118.00
23	Providing new guy insulator and tightning of guy set / Repairing etc	Set	137.50
24	Treeming / Cutting of tree branches as per instruction.	Tree branches	39.00
25	Providing 11 KV projection brackets in place of old V-X- Arm	Set	344.30
26	Providing H.T. / L.T. proj. brackets (Combined) in place of ex. Old V-X Arm / L.T. X-Arm etc.	Set	481.80
27	Providing LT projection brackets in place of old L.T. X-Arm etc.	Set	344.30
28	Dismantaling of exist. HT / LT proj. brackets.	Set	165.00

(A) HT-LINE MAINTENANCEWORK.

Sr. No.	Item	Unit	Revised Labour Rate for 2018-19
29	Providing bracing angle set in ex. D.P. (4-Angles)	Set	206.80
30	Straghtning of tilted D.P. Set (PSC / Gurder pole) etc with refilling of stones, morum etc.	Set	550.00
31	Laying of 11 KV power cable from 70mm ² to 225mm ² with excation of 3 Feet depth cable trench and refilling the same with providing bricks layers and refilling the same with sand / marrum upto ground level as per specification.	Mtr	412.50
31.a	-do-, additional cable in same tranche with additional bricks for seperating both cables	Mtr	137.50
32	Re-activation of earthings of poles	No.	344.30
33	Repairing and providing HT / LT Guarding with straghtning of G.I. Wire & providing lacings at 1 Mtr dist. As per specification with using I - Rod etc.	Per Mtr.	20.90
34	Providing name of 11 KV fdr in "Gujarati" only on PSC / Girder Poles with providing back ground colour on poles with two coats of colour and size of letters to be 2 to 3" in approved ISI colour (Asian Apeolite, Three Mengo including all materials.	No.	27.50
35	Providing Pole No with S/S code No, S/Dn Code No. / Fdrs Code No. / T.C. Code No. etc. with back ground colour and hight of letters to be 2 to 3" I.S.I. approved colour (A.A. 3 Mengo) including all materials.	No.	27.50
36	Providing New 11 KV A.B./ G.O. Switch with fabrications and insulated colour code jumpers / bindings lug etc.	Set	750.00
37	Providing new 11 KV D.O. Fuse with fabrication and insulated colour code jumpers / binding / lugs etc	Set	825.00
38	Replacement of old 11 KV A.B. / G.O. Switch with providing new insulated colour code jumpers / bindings / lugs etc.	Set	1100.00
39	Replacement of old 11 KV D.O. Fuse unit comp.	No.	137.50
40	Providing C.C. ex. HT / LT Line Poles, Guy Sets etc as per sp. with all materials by contractors including cement in 1:2:4 ratio as per sp it also includes excavation & relavent works and muffing.	Cmt	5775.00
41	Providing Muffing in stone masonry in cement mortar 1:5 for X'mers as per sp. with all materials by contractors including cement without excavation work.	Cmt	3025.00
42	Only colour work on ex. Items. (2 coats) of red oxide colour and two coats of silver colours I.S.I. Asian Apcolite 3 mengo colour to be used.		
42.a	1] V-X-Arm / Tapping Chennal or Angle with all fitting.	No.	75.90
42.b	2] L.T. -X-Arm + '-do-	No.	64.90
42.c	3] H.T./L.T. Proj. brackets complete	Set	200.20
42.d	4] H.T. Proj brackets	Set	110.00
42.e	5] L.T. Proj. brackets	Set	110.00
42.f	6] C Clamp	No.	14.30
42.g	7] M.S.Girders 100x116 / Rail & Angle & Tubular Poles (9 to 13 Mtrs Long)	No.	797.50
42.h	8] M.S. Girders poles (150x150x11 to 13 Mtrs.)	No.	907.50
42.i	9] D.P. Structure + All fabrications. (PSC Poles)-without Bracing	No.	234.30
42.j	9] D.P. Structure + All fabrications. (PSC Poles)-with bracing	No.	440.00
42.k	10] '-do- Transformer Structure set - PSC/Girder Pole.	Set	550.00
43	Providing of XLPE hard coating on 34 mm ² AAAC conductor with 3 mm coating.	Km	5500.00
44	Providing of XLPE hard coating on 55 mm ² AAAC conductor with 3 mm coating.	Km	8937.50
45	Cost of drum in which party will return the Hard Core XLPE coated conductor.	No.	378.40

Not Dismantled items should be credited in divisional store/RSO.

Nankar
Chief Engineer (Project)
PGVCL, Corporate office , Rajkot

PASCHIM GUJARAT VIJ COMPANY LTD.

PGVCL/Project-1/Revised Labour rate/2018-19/1247/dtd.05.10.2018

Annexure-C

- Revised Labour Rates for *maintenance work* of HT / LT Line and Transformer Centre / Service Line / Reconnection and Dis connection etc. for the **year 2018-19**. (Excluding of G5T)

All Rates are with transportation charges / All material including - M.5. Nut-Bolts of all size will be supplied by PGVCL / Paints & Colour to be purchased by the contractors.

(B) LABOUR CHARGE FOR L.T.LINE AND SERVICE CONNECTION MAINTENANCE WORK.

Sr. No.	Item	Unit	Revised Labour Rate for 2018-19
1	Replacement of LT X-Arm comp. & crediting in Store.	Set	79.00
2	Replacement of LT Pin or shackle insulator by new one with double binding and climbing etc.	No.	24.00
3	Re-binding of L.T. Pin / shackle insulator.	No.	9.90
4	Replacement of old deteriorated C - clamp	No.	14.30
5	Providing spacer between L.T. Line condutor with binding etc.	No.	24.00
6	Providing cage type loop guard in vertical L.T. Line with using PVC real insulator etc.	No.	40.70
7	Replacement of old jumpers by new thick insulator colour code jumpers for bare conductor with using PVC Pipe and providing 8" long binding on each jumpers.	No.	40.70
8	Providing junction box or M.S. Box with wooden plate inside on pole with clamp etc. including fixing of K.K. Fuses up to 63 Amp & Neutral link with giving cable connections on poles and in fuses.		
8.a	3 Fuse	No.	103.40
8.b	5 Fuse	No.	158.40
8.c	More Than 5 Fuse with respect to item No. 8.b	Per fuse	20.90
9	Replacement & Laying of O/H L.T. - PVC Cable for road / H.T. Line / P&T Line / Crossing with using G.I. Wire No. 8/10 & PVC Real & Egg insulators etc.with connection of Lugs,etc. up to 70 sq.mm	One Span	185.90
10	Replacement & Laying of O/H L.T. - PVC Cable for road / H.T. Line / P&T Line / Crossing with using G.I. Wire No. 8/10 & PVC Real & Egg insulators etc.with connection of Lugs,etc. for 95 sq.mm & above.	One 5pan	275.00
11	Replacement of service lines with MMB & meters with all acceseries as under:		
11.a	1 Phase Conn. Replacement of service lines with Meter Box & meters by using G.I. Wire No. 8/10, Real insulator at the distance of 1.0 Mtr., two nos of egg insulator, wall fast, service angle, PVC Service pipe etc. at equal vertical distance with giving connections of service.	No.	337.70
11.a a	-do-without meter box and meter	No.	247.50

(B) LABOUR CHARGE FOR L.T.LINE AND SERVICE CONNECTION MAINTENANCE WORK.

Sr. No.	Item	Unit	Revised Labour Rate for 2018-19
11.b	3 Phse Conn. Replacement of service lines with Meter Box & meters by using G.I. Wire No. 8/10, Real insulator at the distance of 1.0 Mtr., two nos of egg insulator, wall fast, service angle, PVC Service pipe etc. at equal vertical distance with giving connections of service.	No.	399.30
11.b b	--do-- without meter box and meter	No.	282.70
12	Labour charge for replacement of Meter Box without meter.		
12.a	1 Phase Conn.	No.	62.70
12.b	3 Phse Conn.	No.	82.50
13	Labour charge for replacement / providing of meter and Meter Box		
13.a	1 Phase Conn.	No.	90.20
13.b	3 Phse Conn.	No.	117.70
14	Replacement of meter / providing only		
14.a	1 Phase Conn.	No.	35.20
14.b	3 Phse Conn.	No.	55.00
15	Labour charge for installation of 3 phase Meter Box & 3 phase Meter on T.C. complete in all respect including carting of materials from respective store as per instruction of engineer incharge.		
15.a	In City Area	Set	412.50
15.b	In Rural Area	Set	550.00
16	Providing leads of service wires on L.T. Line with 8 to 10 turns with insulation and 8 to 10 turns of bare wire with L.T. Line conductor and providing insulated PVC tape on it.		
16.a	Per 1 Phase S/C.	No.	9.90
16.b	Per 3 Phase S/C.	No.	17.60
Note	Dismantled items should be credited in divisional store/RSO.		
	<i>Alankar</i> Chief Engineer (Project) PGVCL, Corporate office ,Rajkot		

PASCHIM GUJARAT VIJ COMPANY LTD.

PGVCL/Project-1/Revised Labour rate/2018-19/1247/dtd.05.10.2018

Annexure-D

Revised Labour Rates for maintenance work of HT / LT Line and Transformer Centre / Service Line / Reconnection and Dis connection etc. for the year 2018-19. (Excluding of GST)

All Rates are with transportation charges / All material including - M.S. Nut-Bolts of all size will be supplied by PGVCL / Paints & Colour to be purchased by the contractors.

(c) LABOUR CHARGE FOR TRANSFORMER MAINTANANCE WORK

Sr. No.	Item	Unit	Revised Labour Rate for 2018-19
1	Replacement of old jumpers by new insulated cover cable jumper/biding/lugs etc. etc from L.A. to D.O. fuse or D.O. fuse to T/C.	No	39.00
2	Replacement of old 200 KVA & above distribution box complete with making all connections with crimping of lugs,tapping,neutral	No	1417.00
3	Replacement of old up to 100 KVA distribution box complete with making all connections (i.e.25,63,100)	No	786.00
4	Dismantling of existing distribution transformer center up to 100 KVA with all fabrication and crediting the old material in sub-Division/Division store		
	PSC Pole	Set	2544.30
	Girder Pole	Set	2956.80
5	Dismantling of existing distribution transformer center above 100 KVA with all fabrication and crediting the old material including Distribution Transformer in sub-Division/Division store.		
	PSC Pole	Set	3025.00
	Girder Pole	Set	3437.50

Note Dismantled items should be credited in divisional store/RSO.


Chief Engineer (Project)

PGVCL,Corporate office ,Rajkot

PASCHIM GUJARAT VIJ COMPANY LTD.

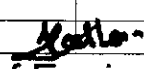
PGVCL/Project-1/Revised Labour rate/2018-19/1247/dtd.05.10.2018

Annexure-E

Labour Rates for maintenance work of HT / LT Line and Transformer Centre / Service Line / Reconnection and Dis connection etc. for the year 2018-19.
(Excluding of GST)

All Rates are with transportation charges / All material including - M.S. Nut-Bolts of all size will be supplied by PGVCL / Paints & Colour to be purchased by the contractors.

(D) LABOUR CHARGE FOR DISCONNECTION AND RECONNECTION WORK

Sr. No.	Item	Unit	Labour Rate for 2018-19	
1	Disconnection & Reconnection from LT Pole Single Phase S/C			
	City Area(Disconnection & Reconnection)	No	40.70	
	City Area(Only Disconnection)	No.	20.90	
	Rural Area(Disconnection & Reconnection)	No.	68.20	
	Rural Area(Only Disconnection)	No.	34.10	
	Disconnection & Reconnection from LT Pole Three Phase S/C			
	City Area(Disconnection & Reconnection)	No	68.20	
	City Area(Only Disconnection)	No.	34.10	
	Rural Area - Other than Ag. (Disconnection&Reconnection)	No.	95.70	
	Rural Area - Other than Ag. (Only Disconnection)	No.	47.30	
	Rural Area - Ag. Connection (Disconnection & Reconnection)	No.	137.50	
	Rural Area - Ag. Connection (Only Disconnection)	No.	68.20	
	2	Dismantling and removal of service line from pole and crediting in store Single Phase		
		City Area	No	55.00
Rural Area		No.	82.50	
Dismantling and removal of service line from pole and crediting in store Three Phase				
City Area		No	110.00	
Rural Area - Other than Ag.		No.	137.50	
Rural Area - Ag. Connection	No.	206.80		
Not	Dismantled items should be credited in divisional store/RSO.			
 Chief Engineer (Project) PGVCL, Corporate office ,Rajkot				

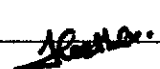
PASCHIM GUJARAT VIJ COMPANY LIMITED

PGVCL/Project-1/Revised Labour rate/2018-19/1247/dtd.05.10.2018

Annexure-F

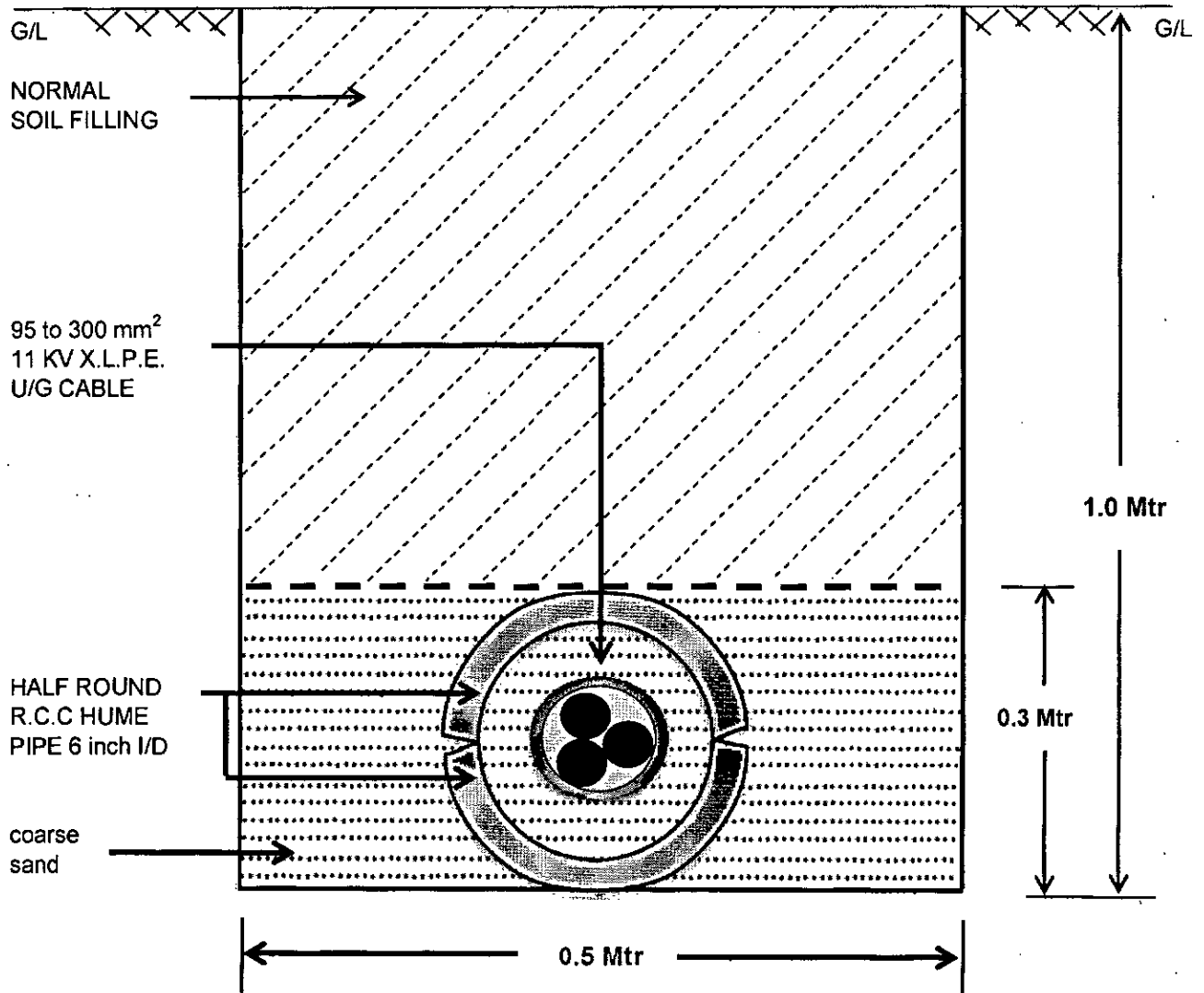
Revised Labour rate for Laying of 11 KV underground cable for year 2018-19

(The Labour rates are excluding of GST.)

Sr. No.	DETAILS OF WORKS	UNIT	Revised Labour Rate for 2018-19
1	Excavation of trench 0.5 metre wide and 1 metre deep for laying of HT/LT underground cable of size up to 300mm ² PILC or XLPE. (The cable should be laid on bed of sand and to cover cable with half round RCC pipe 6" internal dia. And length of 1 metre along with each bottom and top.) The entire trench thereafter should be refilled with earth duly rammed up to ground level as per drawing No. PGVCL/Tech/UG Cable/01/2014-15. (Pro-rata charges may be given for extra digging.)	Metre	93
2	Excavation of trench 0.75 metre wide and 1 metre deep for laying of double HT/LT underground cable of size up to 300mm ² PILC or XLPE. (The cable should be laid on bed of sand and to cover cable with half round RCC pipe 6" internal dia. And length of 1 metre along with each bottom and top.) The entire trench thereafter should be refilled with earth duly rammed up to ground level as per drawing No. PGVCL/Tech/UG Cable/02/2014-15. (Pro-rata charges may be given for extra digging.)	Metre	138
3	Laying / re-laying of cable in cable trench and from ground level to Pole structure for providing outdoor cable joints.	Metre	38
4	Laying / re-laying XLPE/PILC cable by digging of pits, removal of old cable and laying of new cable on sand bed as per item No.1 above.	Metre	115
5	Widening & refilling with earth duly rammed the trench for laying additional No. of cable. For Item No.1 above.	Metre	38
6	Add : Charges for digging of Tar road for laying of cables over and above digging of pit in normal soil as per Sr.No.1.	Metre	31
7	Laying of underground 11 KV XLPE Cable by push and pool method (Manual) through with HDPE Pipe 140mm diametre, 6mm thickness or 6" or 4" diametre GI Pipe without damaging surface of the rod by Horizontal boring / drilling method (excluding cost of HDPE Pipe or 6" or 4" GI Pipe) as per drawing and specification.	Metre	330
8	Laying of underground 11 KV XLPE Cable by push and pool method (by Horizontal directional machine) through with HDPE Pipe 140mm diametre, 6mm thickness or 6" or 4" diametre GI Pipe without damaging surface of the rod by Horizontal boring / drilling method (excluding cost of HDPE Pipe or 6" or 4" GI Pipe) as per drawing and specification.	Metre	825
9	Moulding of cable joints (straight joints, indoor and outdoor) for PILC Cable - labour charges.	Nos.	850.3
10A	Moulding of cable joints (straight joints, indoor and outdoor) for XLPE Cable - labour charges, for Urban area.	Nos.	2157
10B	Moulding of cable joints (straight joints, indoor and outdoor) for XLPE Cable - labour charges, for Rural area.	Nos.	2620
11	Moulding of cable joints (straight joints, indoor and outdoor) for LT PVC Cable	Nos.	694
12	Supply of HDPE pipe for laying 11 KV XLPE Cable 140mm diametre and 6mm thickness as per IS: 4985.	R-Metre	606
13	Supply of HDPE pipe for laying 11 KV XLPE Cable 100mm diametre and 6mm thickness as per IS: 4985.	R-Metre	544.5
14	Supply of half round RCC Hume pipe 6" internal diametre and length of 1 metre	No.	116
15	Supply of mediam grade GI Pipe of size 6" diametre (including clamping the cable with Pole)	R-Metre	1547
16	Supply of mediam grade GI Pipe of size 4" diametre (including clamping the cable with Pole)	R-Metre	1108
17	Supply of RCC Hume Pipe of 6" internal diametre for laying cable for double circuit and road crossing.	R-Metre	245
18	Supply of sand 0.300 X 0.500 X 1.00 metre (layer at bottom of cable trench approx. 0.15 CMT) as per Drg.No.PGVCL/Tech/UG Cable/01/2014-15	R-Metre	43
19	Supply of sand 0.300 X 0.750 X 1.00 metre (layer at bottom of cable trench approx. 0.225 CMT) as per Drg.No.PGVCL/Tech/UG Cable/02/2014-15	R-Metre	64
20	<u>Rate of Route Marker</u> Providing, supplying & fixing route marker of C.C. 1:2:4, 150mm X 150mm X 750mm concrete stone (PGVCL marked with approved yellow colour) embeded in earth atleast 300mm below the ground level and 450mm above ground level at distance approximately 100 metre or as directed by Engineer-In-Charge (this includes material and labour charges for excavation and refilling.)	No.	155
		 Chief Engineer (Project) PGVCL, Corporate office , Rajkot	

PASCHIM GUJARAT VIJ COMPANY LTD

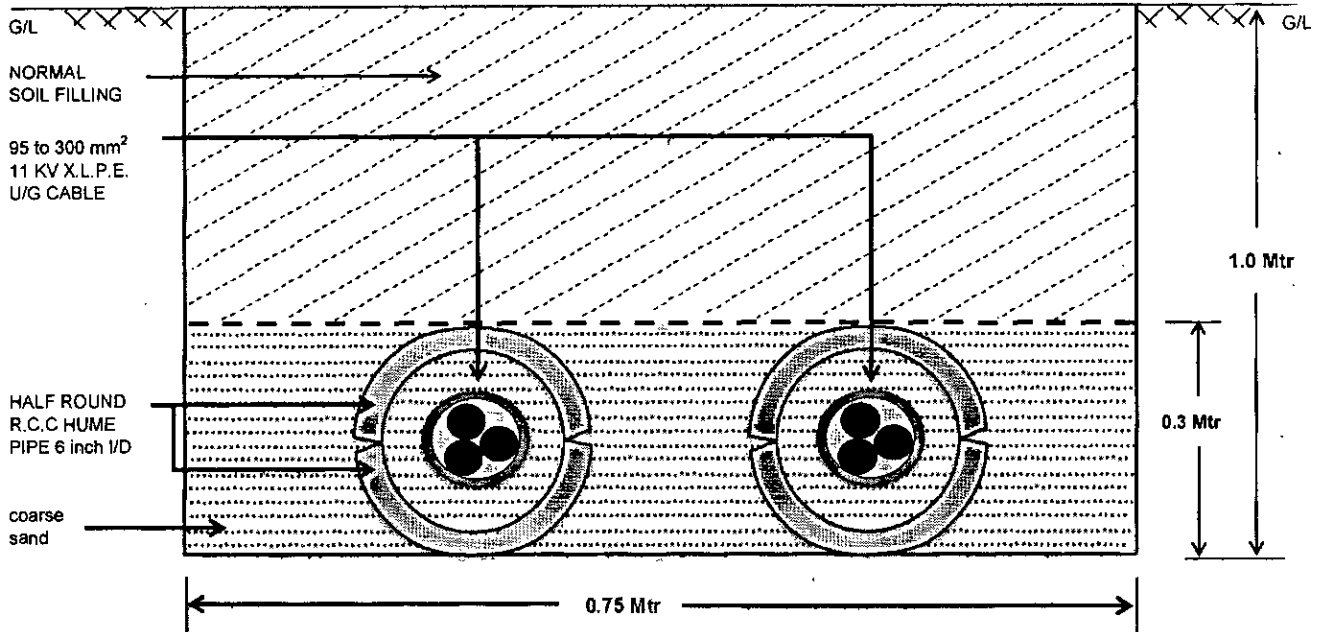
DRAWING FOR LAYING OF ONE NO 11 KV 95 TO 300 mm² X.L.P.E. UNDE GROUND CABLE



Drg. No. : PGVCL/Tech/UG Cable/01/14-15

PASCHIM GUJARAT VIJ COMPANY LTD

DRAWING FOR LAYING OF ONE NO 11 KV 95 TO 300 mm² X.L.P.E. UNDE GROUND CABLE



Drg. No. : PGVCL/Tech/UG Cable/02/14-15